



REPUBLIC OF NAURU

**Government Gazette** *Parliamentary Counsellor*

*Published by Authority*

No. 61

1st October, 1980

Nauru.

G.N. No. 322/1980

PUBLIC SERVICE ACT 1961-1979

VACANCY : SECTION 20

Applications are invited from persons both inside and outside the Public Service for appointment, transfer or promotion to the following position.

CHIEF SECRETARY'S DEPARTMENT

Position: Chief Secretary

Salary: \$16,909 (Fixed Expatriate Rate) - S4.  
\$15,062 (Fixed Nauruan Rate).

Duties:

1. Permanent Head of the Secretariat and will be required to advise Cabinet on such matters as the management and conduct of the Public Service, labour and employment, information and publicity services, housing and welfare, legislation and the co-ordination of the work of Departments of Government .
2. Secretary to the Cabinet.
3. Public Service Commissiomer.
4. Registrar of Births, Deaths & Marriages.

Qualifications: Applicant should preferably hold a tertiary qualification in a field relative to the duties of the post. He should possess a wide knowledge of the process of government and preferably have had policy and managerial experience in a central government department organisation.

Applications should be lodged in writing, stating name, age, education, qualifications and experience with the Chief Secretary no later than Friday, 17th October, 1980

Dated this 29th day of September, 1980.

G.S. Mataika,  
PUBLIC SERVICE COMMISSIONER.

G.N. No. 323/1980

Determination of the Beneficiaries of the Estate of the late Boiyararain Aemwage of Anabar District.

E S T A T E

1. The Nauru Lands Committee has ascertained that the late Boiyararain A. had been determined by the decisions of the Nauru Lands Committee (or its predecessor the Lands Committee to be the owner of the following lands:-

District	Portion No.	Type of Land	Name of Land	Gazette Notice of Ownership	Share
Anibare	118	C.L	Boroboretu	71/79	1/18
Anibare	121	C.L	Anuquoge	71/79	1/24
Anibare	62	C.L	Atangaquidada	71/79	1/24
Anibare	63	C.L	Atangaquidada	71/79	1/24
Anibare	156	P.L	Atoquirom	71/79	1/18
Anibare	190	P.L	Anamwit	71/79	1/36
Anibare	188	P.L	Atoredeto	71/79	1/36
Anibare	165	P.L	Arro	71/79	1/18

G.N. No. 323/1980

DETERMINATION OF BENEFICIARIES

2. The Nauru Lands Committee has determined that the beneficiaries of the estate of the late Boiyararain A. are:-

(a) in respect of the land shown in Paragraph 1 above:

District	Portion No.	Name of Land	Beneficiaries	Share
Anibare	118	Boroboretu	Sobina B. Eigadeinang G. Elizabeth A. Eitongangen A. Louisa E.A. Daniel A. Stella A. Eibeiyedak A. (LTO)	1/144 1/144 1/144 1/144 1/144 1/144 1/144 1/144
Anibare	121	Anuquoge	Sobina B. Eigadeinang G. Elizabeth A. Eitongangen A. Louisa E.A. Daniel A. Stella A. Eibeiyedak A. (LTO)	1/192 1/192 1/192 1/192 1/192 1/192 1/192 1/192
Anibare	62	Atangaquidada	As for Portion 121 c.1. Anibare	
Anibare	63	Atangaquidada	As for Portion 121 c.1. Anibare	

No. 61 1st October, 1980 Nauru.

G.N. No.323/1980

Anibare	156	Atoquirom	Sobina B.	1/144
			Eigadeinang G.	1/144
			Elizabeth A.	1/144
			Eitongangen A.	1/144
			Louisa E.A.	1/144
			Daniel A.	1/144
			Stella A.	1/144
			Eibeiyedak A.(LTO)	1/144
Anibare	190	Anamwit	Sobina B.	1/288
			Eigadeinang G.	1/288
			Elizabeth A.	1/288
			Eitongangen A.	1/288
			Louisa E.A.	1/288
			Daniel A.	1/288
			Stella A.	1/288
			Eibeiyedak A.(LTO)	1/288
Anibare	188	Atoredeto	As for Portion 190 p.l. Anibare	
Anibare	165	Arro	As for Portion 118 p.l. Anibare	

NOTE:

Any person who is dissatisfied with this decision of the Nauru Lands Committee may appeal to the Supreme Court within 21 days of the publication of this notice.

J.A. Daguape,  
VICE CHAIRMAN.

G.N. No. 324/1980

Determination of the Beneficiaries of the Estate of the late Adimim Deduna of Buada District.

E S T A T E

1. The Nauru Lands Committee has ascertained that the late Adimim D. had been determined by the decisions of the Nauru Lands Committee (or its predecessor the Lands Committee to be the owner of the following lands:-

District	Portion No.	Type of Land	Name of Land	Gazette Notice of Ownership	Share
Buada	149	P.L	Anota	16/34	1/6
Buada	146	P.L	Anota	20/63	4/21
Buada	154	P.L	Anota	52/65	4/21
Yaren	220	P.L	Apeape	52/65	8/63
Buada	96	P.L	Dobuadedar	52/65	8/63
Buada	182	P.L	Eatdedabage	52/65	8/63
Soe	66	C.L	Eidagauwe	52/65	8/63
Buada	48	P.L	Ijati	52/65	8/63
Denigomodu	24	C.L	Denigomodu	21/62	1/2
Buada	267	C.L	Atamaruro	38/61	1/8
Buada	313	C.L	Oreb	46/64	1/5
Buada	314	C.L	Aromwemwe	46/64	1/5

G.N. No. 324/1980 (Cont'd)

Buada	315	C.L	Ianemara	46/64	1/5
Aiwo	199	C.L	Aiue	36/54	1/5
Yaren	249	P.L	Ateijibab	52/65	8/315
Aiwo	333	P.L	Bwitani	52/65	8/315
Anibare	128	P.L	Atibenar	52/65	8/315
Boe	77	C.L	Atongeboge	52/65	8/315
Meneng	228	P.L	Atangoque	52/65	1/40
Buada	351	C.L	Bangabanga	22/66	1/7
-	-	-	C.34	31/63	1/9
Yaren	329	P.L	Atubwinumor	52/65	8/63
-	-	-	C.37	31/63	1/45
Anibare	338	P.L	Idonga	12/76	1/14
Meneng	262	P.L	Anemet	52/65	1/40
Yaren	318	P.L	Anamarangi	52/65	8/315
Meneng	229	P.L	Anoerara	52/65	4/63
Anibare	139	P.L	Ibwidugu or Bwidugu	52/65	8/315
Buada	213	C.L	Anoreo	6/79	1/5
Yaren	319	P.L	Anamanragi	52/65	8/315

G.N. No. 324/1980

DETERMINATION OF BENEFICIARIES

2. The Nauru Lands Committee has determined that the beneficiaries of the estate of the late Adinim Deduna are:-

(a) in respect of the land shown in Paragraph 1 above:

District	Portion No.	Name of Land	Beneficiaries	Share
Buada	149	Anota	Eiwita A. Deduna	1/6 (LTO)
Buada	146	Anota	Eiwita A. Deduna	4/21 (LTO)
Buada	154	Anota	Eiwita A. Deduna	4/21 (LTO)
Yaren	220	Apeape	Eiwita A. Deduna	8/63 (LTO)
Buada	96	Dobuadedar	Eiwita A. Deduna	8/63 (LTO)
Buada	182	Eatdedabage	Eiwita A. Deduna	8/63 (LTO)
Boe	66	Eidagauwe	Eiwita A. Deduna	8/63 (LTO)
Buada	48	Ijati	Eiwita A. Deduna	8/63 (LTO)
Denigomodu	24	Denigomodu	Eiwita A. Deduna	1/2 (LTO)
Buada	267	Atamaruro	Eiwita A. Deduna	1/8 (LTO)
Buada	313	Oreb	Eiwita A. Deduna	1/5 (LTO)
Buada	314	Aromwemwe	Eiwita A. Deduna	1/5 (LTO)
Buada	315	Ianemara	Eiwita A. Deduna	1/5 (LTO)
Aiwo	199	Aiue	Eiwita A. Deduna	1/5 (LTO)
Yaren	249	Ateijibab	Eiwita A. Deduna	8/315 (LTO)
Aiwo	333	Bwitani	Eiwita A. Deduna	8/315 (LTO)
Anibare	128	Atibenar	Eiwita A. Deduna	8/315 (LTO)
Boe	77	Atongeboge	Eiwita A. Deduna	8/315 (LTO)
Meneng	228	Atangoque	Eiwita A. Deduna	1/40 (LTO)
Buada	351	Bangabanga	Eiwita A. Deduna	1/7 (LTO)
-	-	C.34	Eiwita A. Deduna	1/9 (LTO)
Yaren	329	Atubwinumor	Eiwita A. Deduna	8/63 (LTO)
-	-	C.37	Eiwita A. Deduna	1/45 (LTO)
Anibare	338	Idonga	Eiwita A. Deduna	1/14 (LTO)
Meneng	262	Anemet	Eiwita A. Deduna	1/40 (LTO)
Yaren	318	Anamaragi	Eiwita A. Deduna	8/315 (LTO)

G.N. No. 324/1980 (Cont'd)

Meneng	229	Anoerara	Eiwita A. Deduna	4/63 (LTO)
Anibare	139	Ibwidugu or bwidugu	Eiwita A. Deduna	8/315 (LTO)
Buada	213	Anoreo	Eiwita A. Deduna	1/5 (LTO)
Yaren	319	Anamaragi	Eiwita A. Deduna	8/315 (LTO)

NOTE:

The shares in the estate is now owned by Mrs Eiwita Adimim for her life time only as shown, but when she dies the shares will automatically revert back to her children in equal shares or to their respective children if they are dead, Ronald Demaubweno A. Deduna, May Eyedauna, Cristine Eabo A. Deduna, Roy Aoniya A. Deduna, Seth Robwain A. Deduna, and Buela Onesa A. Deduna.

Any person who is dissatisfied with the distribution of the above estate may appeal to the Supreme Court within 21 days of the publication of this Gazette.

Dated this 11th day of September, 1980.

J.A. Daguape,  
VICE CHAIRMAN.

No. 61

1st October, 1980

Nauru.

G.N. No. 325/1980

LAND DETERMINATION

The Nauru Lands Committee hereby determines the ownership of certain land or shares in land as being that shown below:-

Dist.	Port. No.	C.L P.L	Name of Land	Reference	Former Owners	Shares	Present Owners in equal shares.
BUADA	360	C.L	EDUNANURUNG	L/Reg, Bk. P/103	ROSIE.D.	ALL	ROBIDOK BURARO DETUDAMO ALL

NOTE:

The Nauru Lands Committee's decision as to the beneficiaries of the estate of Rosie D. was published in Gazette No. 71 of 1978.

Any person who is dissatisfied with the distribution of the above estate may appeal to the Supreme Court within 21 days of the publication of this Gazette.

Dated this 25th day of August, 1980.

J.A. Daguape,  
VICE CHAIRMAN.

G.N. No. 326/1980

LAND DETERMINATION

The Nauru Lands Committee hereby determines the ownership of certain land or shares in land as being that shown below:-

Dist.	Port. No.	C.L P.L	Name of Land	Reference	Former Owner	Shares	Present Owners in equal shares.
BUADA	361	C.L	EDUNANURUNG	L/Reg. Bk. P/103.	EWE (Dec'd)	ALL	EIROUBUGE D. 1/4 DANNY D. 1/4 EIGOMA A. 1/16 EIDINAMWE A. 1/16 KENO A. 1/16 EIGOGIA A. 1/16 INIA KEPHAS 1/4

NOTE:

The Nauru Lands Committee's decision as to the beneficiaries of the estate of Ewe was published in Gazette No. 1 of 1962.

The Nauru Lands Committee's decision as to the beneficiaries of the estate of Areo eo was published in Gazette No. 52 of 1966.

The Nauru Lands Committee's decision as to the beneficiaries of the estate of Aboto was published in Gazette No. 52 of 1971.

G.N. No. 326/1980 (Cont'd)

The Nauru Lands Committee's decision as to the beneficiaries of the estate of Kephas was published in Gazette No. 35 of 1969.

Any person who is dissatisfied with the distribution of the above estates may appeal to the Supreme Court within 21 days of the publication of this Gazette.

Dated this 25th day of August, 1980.

J.A. Daguape,  
VICE CHAIRMAN.

G.N. No. 327/1980

LAND DETERMINATION

The Nauru Lands Committee hereby determines the ownership of certain land or shares in land as being that shown below:-

Dist.	Port. No.	C.L P.L	Name of Land	Reference	Former Owner	Shares	Present Owners in equal shares.
BUADA	359	C.L	EDUNAWURUNG	L/Reg. Bk. P/103	EIDADIA (Dec'd)	ALL	KIKI T. 1/7 RIRIAINANG T. 1/7 DUNKAIROG 1/7 ADAINA T. 1/7 DAINGIROB S. 1/7 ENOKORI C. 1/7 ROLA T. 1/7

NOTE:

The Nauru Lands Committee's decision as to the beneficiaries of the estate of Eidadia was published in Gazette No. 1 of 1961.

The Nauru Lands Committee's decision as to the beneficiaries of the estate of Eidiribaina T. was published in Gazette No. 34 of 1968.

Any person who is dissatisfied with the distribution of the above estate may appeal to the Supreme Court within 21 days of the publication of this Gazette.

Dated this 25th day of August, 1980.

J.A. Daguape,  
VICE CHAIRMAN.

G.N. No. 328/1980

LAND DETERMINATION

The Nauru Lands Committee hereby determines the ownership of certain land or shares in land as being that shown below:-

Dist.	Port. No.	C.L P.L	Name of Land	Reference	Former Owner	Share	Proposed owners and shares.
ANIBARE	189	P.L	ATAGAPARA	51/59	TERESIA H. (Dec'd)	1/6	Johnny Hedmon 1/12 Wally D. Hedmon 1/12 Peter D. Ika 1/24 (Martina Trustee)
					Aribor D.	1/12	Lucy Benjamin 1/108 Karl H.P.Duke 1/108 Andrew H.P.Duke 1/108 Ricky H.P.Duke 1/108 Sharon H.P.Duke 1/108 Serena H.P.Duke 1/108 Eidebwit H.P.Duke 1/108 Camron H.P.Duke 1/108 (LTO) Sarah H.P. Duke 1/108
					Othilia (Dec'd)	1/3	Redenoai Ketner 1/3
					Dagaimemeri P. (Dec'd)	1/6	Namoduk 1/6
					Douwenewu K.	1/12	Douwenewu 1/12
					Namoduk P.	1/6	Namoduk 1/6

NOTE:

1. The determination of the Nauru Lands Committee in regard to the distribution of the late Teresia.Hedmon's shares was in accordance with the ruling of the Supreme Court in Civil Case NO.3 of 1977.

NOTE: 2. Lands Committee's determination as to the beneficiaries of the estate of Aribor Diodogin was published in Gazette Notice NO.45/232 of 1968.

NOTE: 3. The determination of the Nauru Lands Committee in regard to the distribution of the late Othilia's shares was in accordance with the ruling of the Supreme Court in Land Appeal NO.3

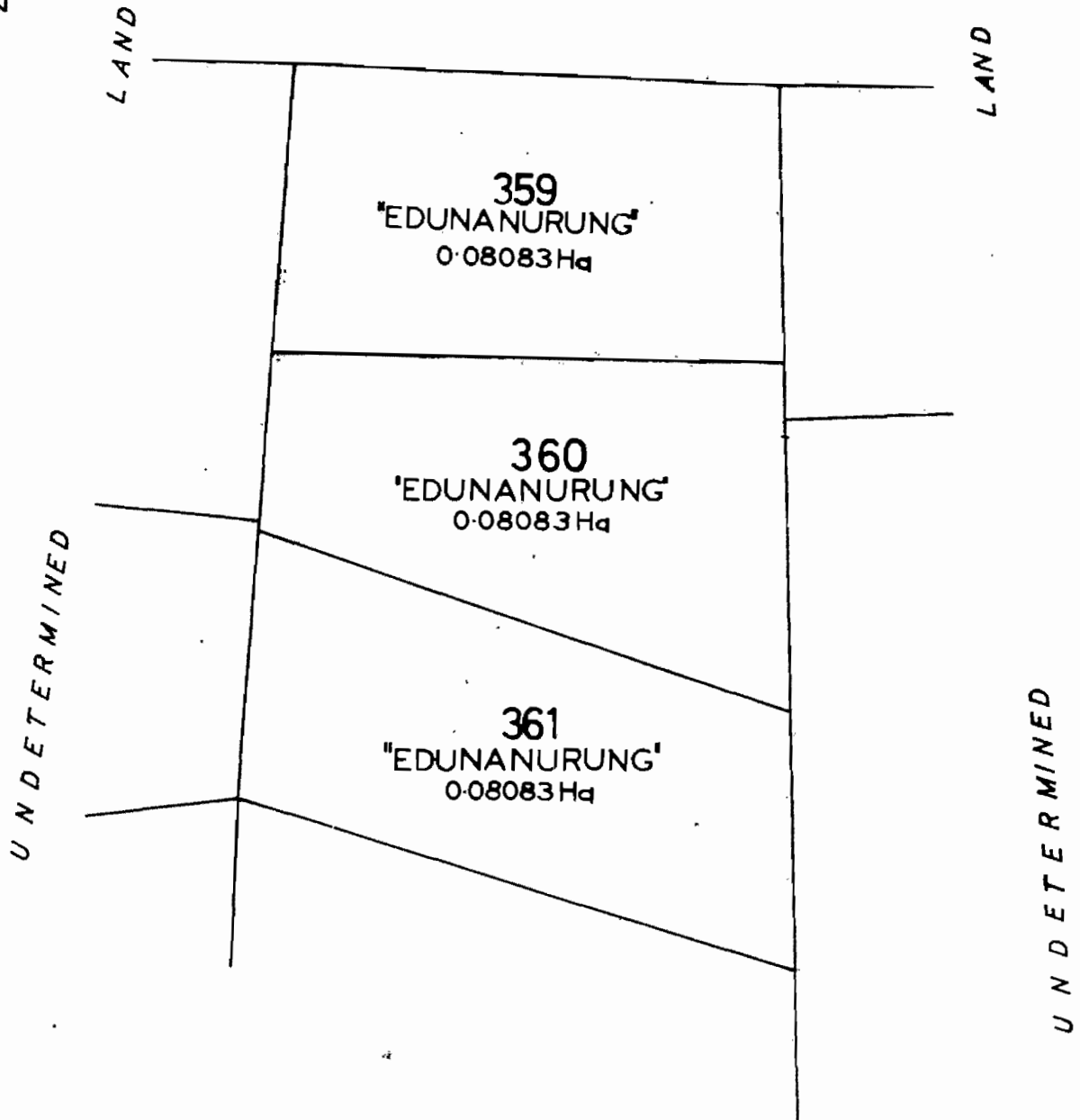
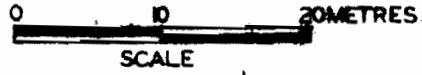
NOTE: 4. Lands Committee's determination as to the beneficiaries of the estate of Dogimemeri was published in Gazette NO.50 of 1975.

Any person who is dissatisfied with the determination of the Nauru Lands Committee may appeal to the Supreme Court within 21 days of the publication of this Notice.

J.A. Daguape,  
VICE CHAIRMAN.



# DISTRICT OF BUADA



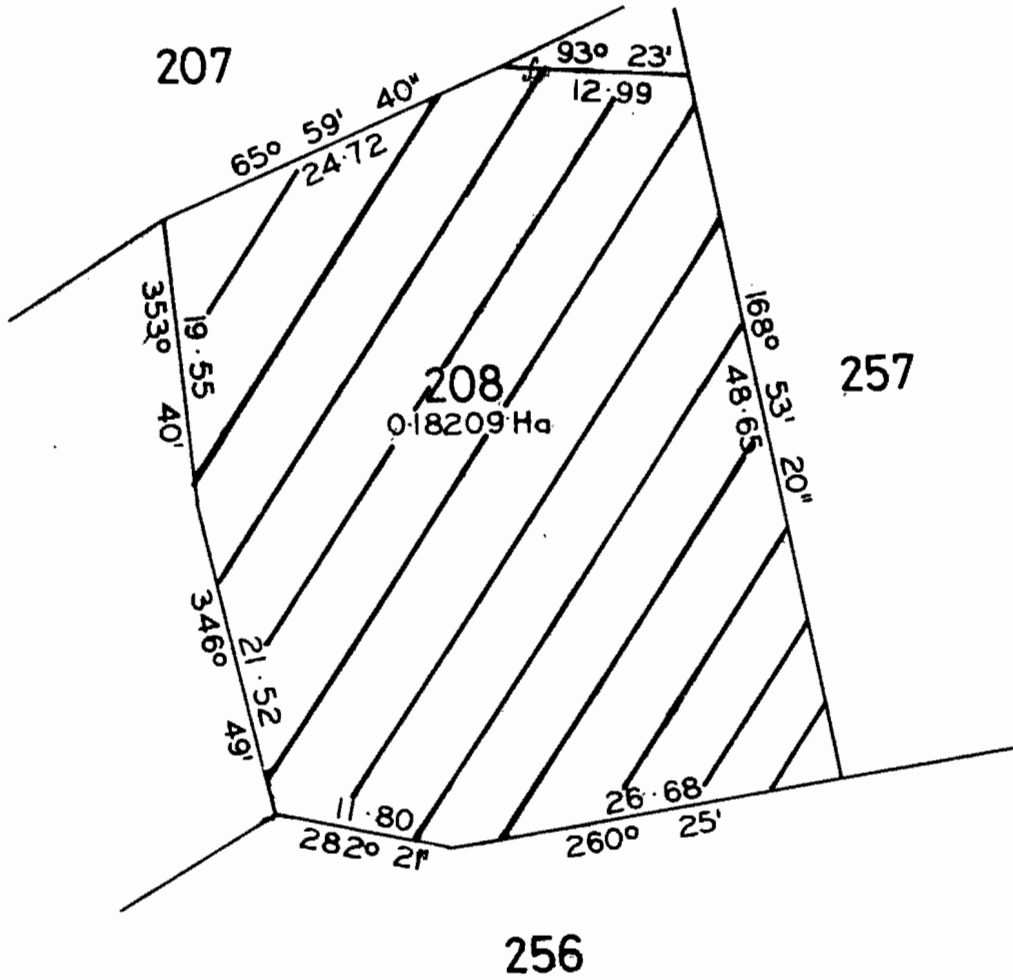
REFER TO OFFICIAL SURVEY PLAN NO.94

# DISTRICT OF BUADA



## CLASSIFICATION OF LAND

BY VIRTUE of the powers vested in me by SECTION 7 of the LANDS ACT 1976, I HEREBY classify the land shown hatched on the plan hereunder as NON-PHOSPHATE BEARING.



(HAMMER, DEROBURT)  
MINISTER

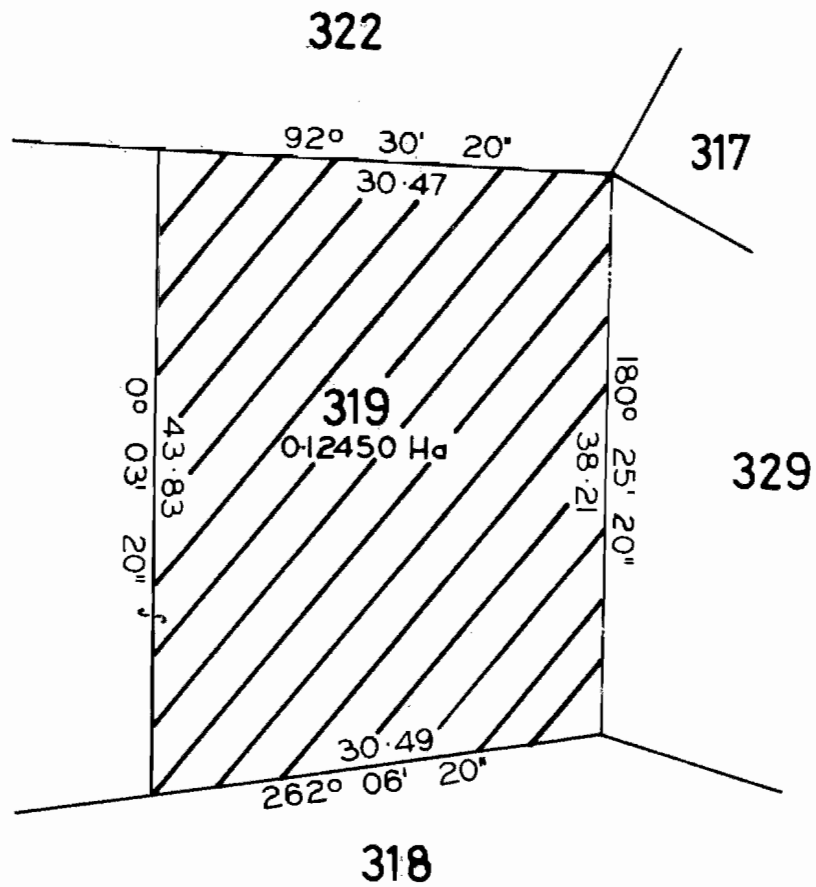
FOR ISLAND DEVELOPMENT AND INDUSTRY

# DISTRICT OF BUADA



## CLASSIFICATION OF LAND

BY VIRTUE of the powers vested in me by SECTION 7 of the LANDS ACT 1976, I HEREBY classify the land shown hatched on the plan hereunder as NON-PHOSPHATE BEARING



(HAMMER DEROUBT)  
MINISTER

FOR ISLAND DEVELOPMENT AND INDUSTRY

# DISTRICT OF ANIBARE

